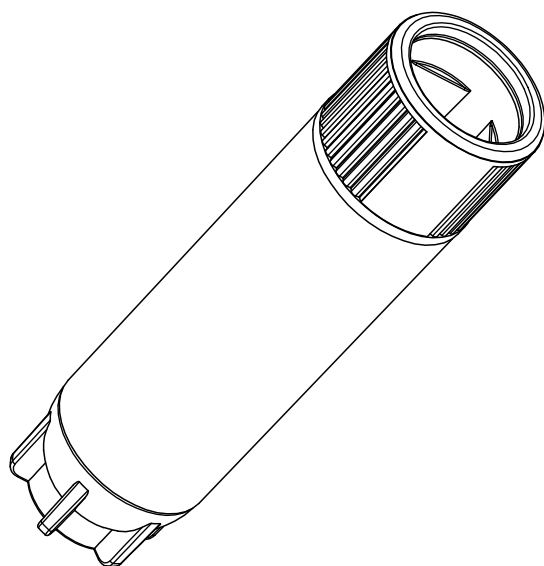
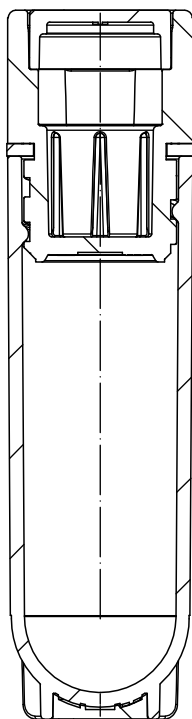
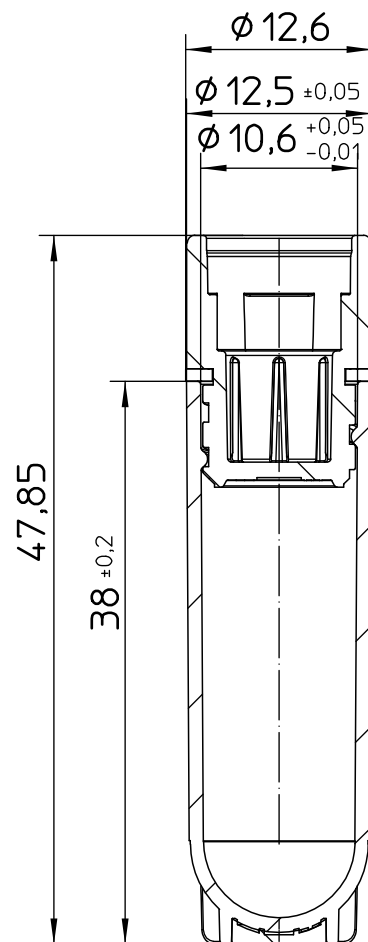


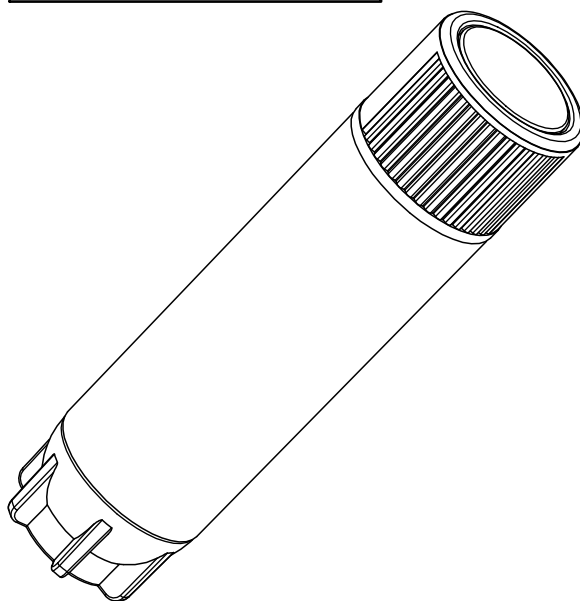
Valid for Item-No.: 122261, 122263, 122272, 122277, 122278, 122279, 122280



without Cap Insert



with Cap Insert  
(Item No. 304134 inserted)



"All dimensions in mm"

Customer drawing subject to change without notice!

Uncontrolled Copy

Prior Issue	Drawn	Approved	Released	CONFIDENTIAL: Information contained in this document or drawing is confidential and proprietary to Greiner Bio-One GmbH. This document may not be reproduced for any reason without written permission from Greiner Bio-One GmbH. All rights of design, invention, and copyright are reserved.
Revision 9	Date 2011/01/26	Date 2023/06/14	Date 2023/06/22	
Date 2023/04/28	Name forb	Name forb	Name kessler	